

SYST SERIES TILT SWITCH SENSOR

KEY FEATURES

- Measuring axis : X, Y dual axis
- Measuring range : optional
- Output mode : switch output
- IP protection : IP67
- Shock resistance : >3500g
- Frequency response : 30Hz
- Measuring accuracy : $\pm 0.1^\circ$
- LED default alarm angle : X: 2° Y: 3°
- Cross sensitivity : 3%
- Resolution : 0.1°
- Small volume : $\phi 73.5 \times 50$ (Customized)
- Weight : 55g (without packing box)
- Installation : 2 * M4 screws

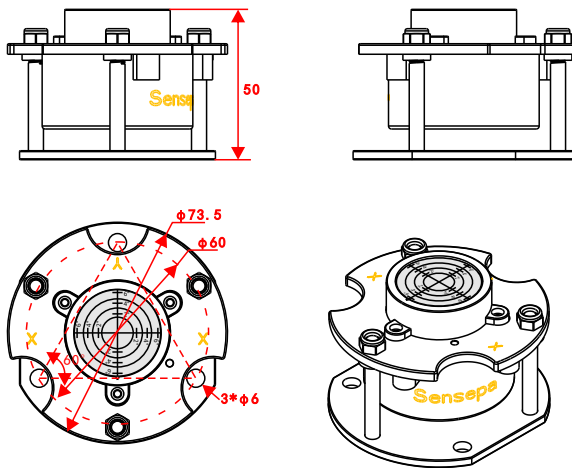
ELECTRICAL PARAMETERS

- Power supply : DC9-36V
- Working current : 30 mA
- Output loading : $\leq 500\text{MA}$
- Working temperature : $-30 \sim +70^\circ\text{C}$
- Storage temperature: $-30 \sim +70^\circ\text{C}$
- Working life: 80000 ~100000Hr

DESCRIPTION

This tilt switch is used to measure the change of the tilt angle of dual axis, the high voltage signal is output when the angle of the object being measured is smaller than the preset alarm angle, and the voltage magnitude is equal to the supply voltage. The low voltage signal is output when the angle of the object being measured is greater than the preset alarm angle, and the voltage magnitude is about zero volts. The zero setting button is used to set the horizontal zero reference point.

DIMENSIONAL DRAWING



Unit : mm
Dimension : : $\phi 73.5 \times 50$

INSTRUCTIONS

As show in the figure 1-1 1,2,3 :

1. Set the zero setting button relative to the horizontal zero

- ① Press the ZERO button for about 7 seconds, the red and green LED lights are closed, then the red and green LED lights flashing at the same time, then release the button, then continue to press ZERO button three times, determined to enter the zero set, during this period only 5 seconds to complete pressing the button in three times, otherwise it will automatically exit the zero set program, return to normal mode.
- ② The green LED light is switched off while the red LED light blinks for about 4 seconds, indicating that it has entered the setup program.
- ③ The red and green LED lights blink for about 1 second at the same time, make the sensor is stable and wait for acquisition zero angle.
- ④ The red and green LED lights are constant light on for about 1 second, the sensors are acquisition zero angles.
- ⑤ The red LED light is constant light on 1 second, the green LED light flashing about 1second, indication set up successfully, the data has been saved.
- ⑥ Return to normal measurement mode, the green LED light is constant light on.

1. Working indication light

When the green LED light on constantly, means the product within the range of alarm angle; When red LED light on, means the product exceeding the range of alarm angle, meanwhile the white output line output power voltage.

2. Mounting hole match with M6 screws

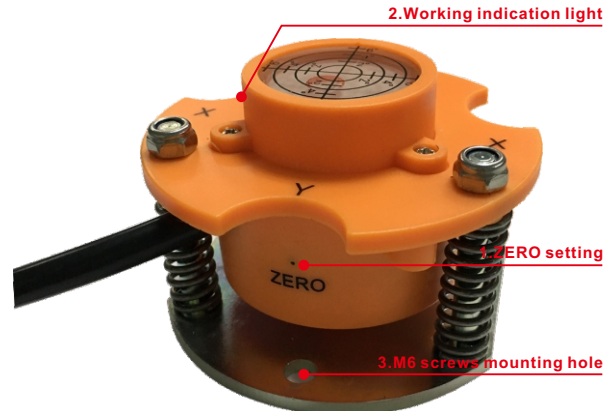
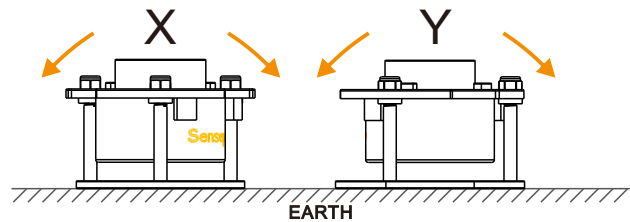


Figure 1-1



PRODUCT INSTALLATION DIRECTION

Make sure the sensor mounting surface should be parallel to the measured target surface, and reduce the influence of dynamic and acceleration on the sensor. For installation measurements, refer to the schematic below:



PRODUCT ELECTRICAL CONNECTION

